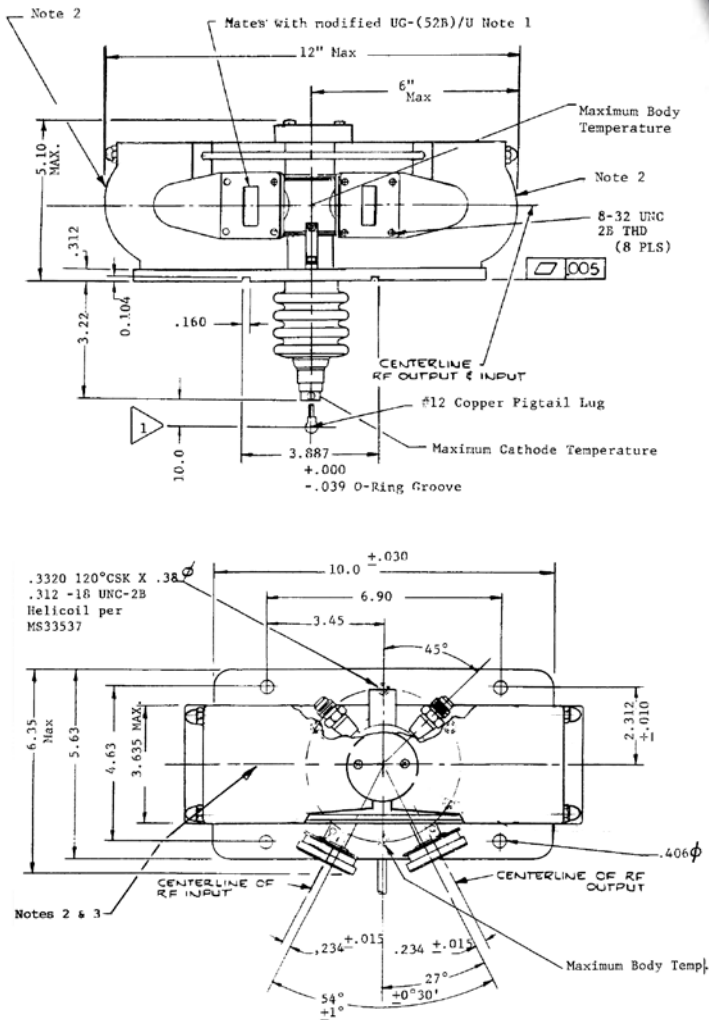
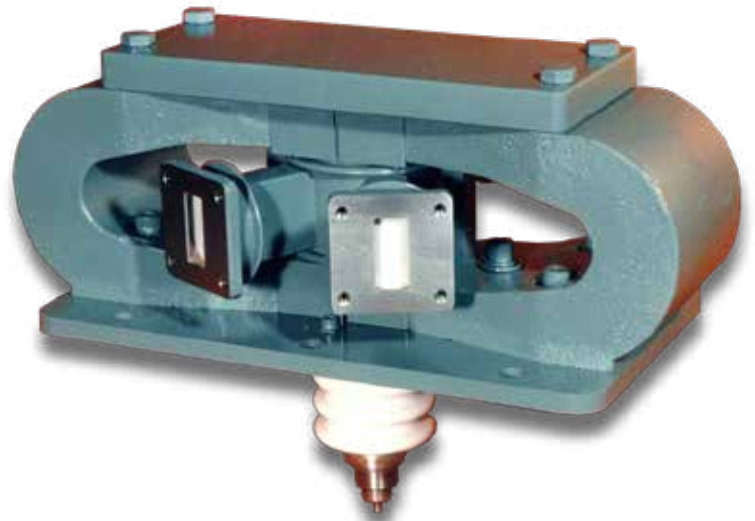


## Communications & Power Industries Crossed-Field Amplifier

With a history of producing high quality products, we can help you with your CFA.

Contact us at [BMDMarketing@cpii.com](mailto:BMDMarketing@cpii.com) or at call us at +1 978-922-6000.



**FEATURES:**

- Frequency: 9.5 - 10.0 GHz
- Peak power: 500 kW
- Duty cycle: 0.001
- Pulsewidth: 0.5 μSec
- Anode voltage 34 kV
- Cold cathode
- Water cooled anode

**BENEFITS:**

- High peak power
- Wide bandwidth

**APPLICATIONS:**

- Ground based radar



**Beverly Microwave Division**  
 150 Sohler Road  
 Beverly, Massachusetts  
 USA 01915

tel +1 978-922-6000  
 email [BMDMarketing@cpii.com](mailto:BMDMarketing@cpii.com)  
 fax +1 978-922-8914  
 web [www.cpii.com](http://www.cpii.com)

For more detailed information, please refer to the corresponding CPI technical description if one has been published, or contact CPI. Specifications may change without notice as a result of additional data or product refinement. Please contact CPI before using this information for system design.

©2024 Communications & Power Industries LLC. Company proprietary; use and reproduction is strictly prohibited without written authorization from CPI.